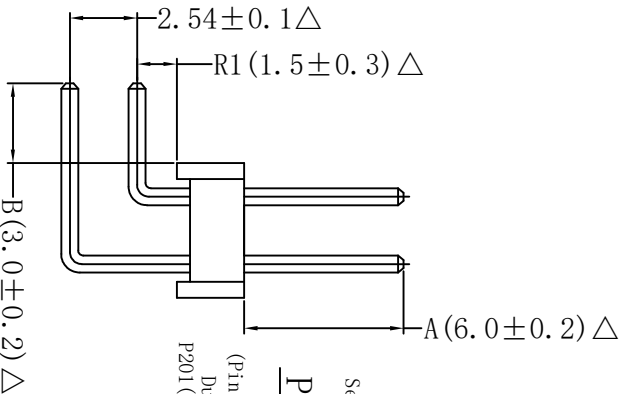
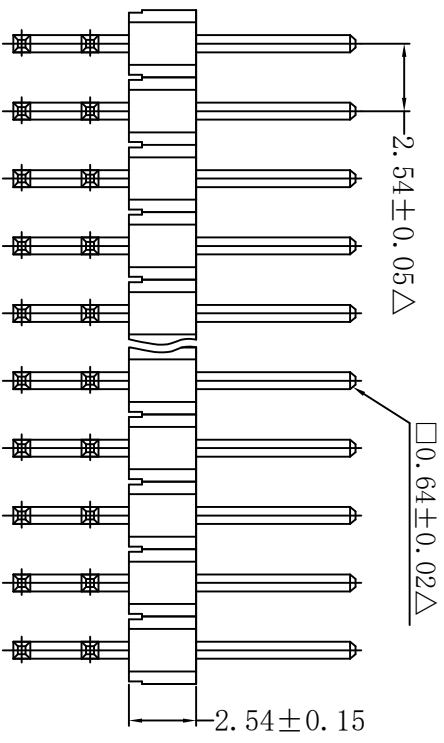


P.C.B Hole Layout

### Specifications

- Current Rating : 3 Amps
  - Insulator Resistance : 5000 Megohms Min.
  - Dielectric Withstanding : AC 1000 V
  - Operating Temperature : -40°C ~ +105°C
  - Contact Material : Copper Alloy
  - Insulator Material : Polyester, UL 94V-0
  - Standard : P.B.T
  - Finish : Tin, Gold or Duplex Plated
  - Standard : Gold Flash all over
- Note:  
Duplex Plating: Gold Plated on contact area,  
Tin on solder area



Series	P201	Connector Type	X	Contact Plating	X	Material	X	Pin Length	A / B	Number of Contacts	X / X
(Pin Header Dual Row)		R: Right Angle		G: Gold Flash		p: PBT		A		(04 T) 80	
P201 (H: 2.54 W: 5.08)		RI: 1.5mm		T: Tin Plated		N: Nylon-6T		B		(060)	
				A: 10U"Gold		(Standard: P)				(030)	
				B: 15U"Gold							
				C: 20U"Gold							
				◎ Duplex Plating							
				D: Gold Flash/Tin							
				(Standard: G)							

(If you desire on other Length, by marking put desired in the A/B)

DESCRIPTION(内容): 2.54mm Pin Header H:2.54 90° □=0.64 方針為半金錫 (環保材料)		DRAWING(製圖): FSS		GENERAL TOLERANCE: (公差)		REV:		DESCRIPTION		DATE	
CHECKED(確認): □=0.64 方針為半金錫 (環保材料)		APPROVAL(核准):		SCALE(比例): 1:XX		UNIT: mm		REV		DESCRIPTION	
PART NO: P201-R1DP-060/030-XX		APPROVAL(核准):		SCALE(比例): 1:XX		SIZE: A4		REV		DESCRIPTION	
DRAWING NO(圖號):		APPROVAL(核准):		SCALE(比例): 1:XX		SHEET: 1/1		REV		DESCRIPTION	
DRAWING NO(圖號):		APPROVAL(核准):		SCALE(比例): 1:XX		SHEET: 1/1		REV		DESCRIPTION	

**东莞市康耐特科技有限公司**  
Dongguan KNT-Electronics Technology Co., LTD  
TEL.:+860769-83999188 +860769-83999660